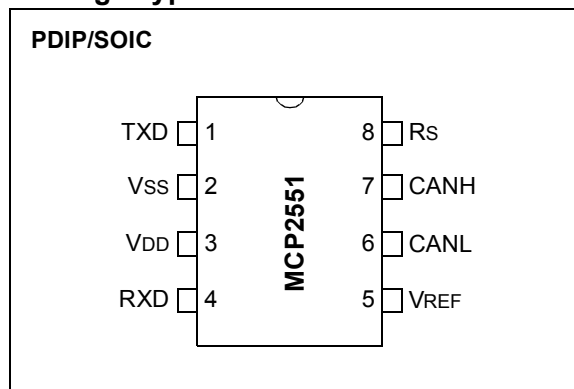


## High-Speed CAN Transceiver

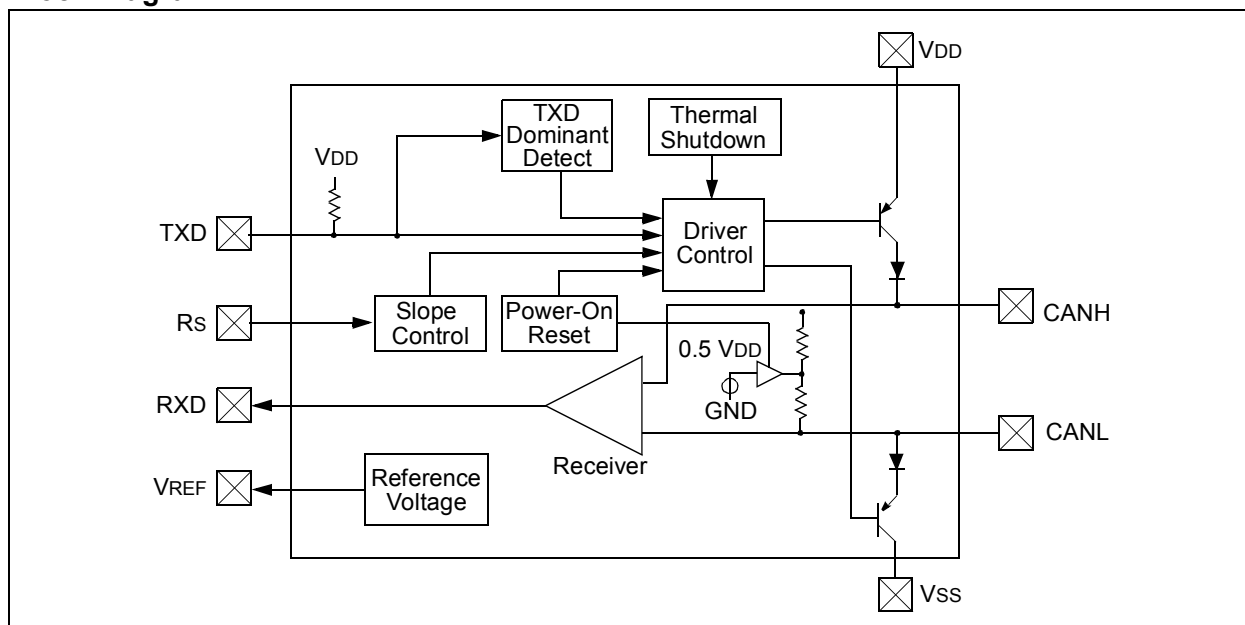
### Features

- Supports 1 Mb/s operation
- Implements ISO-11898 standard physical layer requirements
- Suitable for 12V and 24V systems
- Externally-controlled slope for reduced RFI emissions
- Detection of ground fault (permanent dominant) on TXD input
- Power-on reset and voltage brown-out protection
- An unpowered node or brown-out event will not disturb the CAN bus
- Low current standby operation
- Protection against damage due to short-circuit conditions (positive or negative battery voltage)
- Protection against high-voltage transients
- Automatic thermal shutdown protection
- Up to 112 nodes can be connected
- High noise immunity due to differential bus implementation
- Temperature ranges:
  - Industrial (I): -40°C to +85°C
  - Extended (E): -40°C to +125°C

### Package Types



### Block Diagram



# MCP2551

---

---

NOTES:

## 1.0 DEVICE OVERVIEW

The MCP2551 is a high-speed CAN, fault-tolerant device that serves as the interface between a CAN protocol controller and the physical bus. The MCP2551 provides differential transmit and receive capability for the CAN protocol controller and is fully compatible with the ISO-11898 standard, including 24V requirements. It will operate at speeds of up to 1 Mb/s.

Typically, each node in a CAN system must have a device to convert the digital signals generated by a CAN controller to signals suitable for transmission over the bus cabling (differential output). It also provides a buffer between the CAN controller and the high-voltage spikes that can be generated on the CAN bus by outside sources (EMI, ESD, electrical transients, etc.).

### 1.1 Transmitter Function

The CAN bus has two states: Dominant and Recessive. A dominant state occurs when the differential voltage between CANH and CANL is greater than a defined voltage (e.g., 1.2V). A recessive state occurs when the differential voltage is less than a defined voltage (typically 0V). The dominant and recessive states correspond to the low and high state of the TXD input pin, respectively. However, a dominant state initiated by another CAN node will override a recessive state on the CAN bus.

#### 1.1.1 MAXIMUM NUMBER OF NODES

The MCP2551 CAN outputs will drive a minimum load of 45Ω, allowing a maximum of 112 nodes to be connected (given a minimum differential input resistance of 20 kΩ and a nominal termination resistor value of 120Ω).

### 1.2 Receiver Function

The RXD output pin reflects the differential bus voltage between CANH and CANL. The low and high states of the RXD output pin correspond to the Dominant and Recessive states of the CAN bus, respectively.

### 1.3 Internal Protection

CANH and CANL are protected against battery short-circuits and electrical transients that can occur on the CAN bus. This feature prevents destruction of the transmitter output stage during such a fault condition.

The device is further protected from excessive current loading by thermal shutdown circuitry that disables the output drivers when the junction temperature exceeds a nominal limit of 165°C. All other parts of the chip remain operational and the chip temperature is lowered due to the decreased power dissipation in the transmitter outputs. This protection is essential to protect against bus line short-circuit induced damage.

## 1.4 Operating Modes

The Rs pin allows three modes of operation to be selected:

- High-Speed
- Slope-Control
- Standby

These modes are summarized in Table 1-1.

When in High-Speed or Slope-Control mode, the drivers for the CANH and CANL signals are internally regulated to provide controlled symmetry in order to minimize EMI emissions.

Additionally, the slope of the signal transitions on CANH and CANL can be controlled with a resistor connected from pin 8 (Rs) to ground, with the slope proportional to the current output at Rs, further reducing EMI emissions.

### 1.4.1 HIGH-SPEED

The High-Speed mode is selected by connecting the Rs pin to Vss. In this mode, the transmitter output drivers have fast output rise and fall times to support high-speed CAN bus rates.

### 1.4.2 SLOPE-CONTROL

Slope-Control mode further reduces EMI by limiting the rise and fall times of CANH and CANL. The slope, or slew rate (SR), is controlled by connecting an external resistor (R<sub>EXT</sub>) between Rs and V<sub>OL</sub> (usually ground). The slope is proportional to the current output at the Rs pin. Since the current is primarily determined by the slope-control resistance value R<sub>EXT</sub>, a certain slew rate is achieved by applying a respective resistance. Figure 1-1 illustrates typical slew rate values as a function of the slope-control resistance value.

### 1.4.3 STANDBY MODE

The device may be placed in standby or "SLEEP" mode by applying a high-level to Rs. In SLEEP mode, the transmitter is switched off and the receiver operates at a lower current. The receive pin on the controller side (RXD) is still functional but will operate at a slower rate. The attached microcontroller can monitor RXD for CAN bus activity and place the transceiver into normal operation via the Rs pin (at higher bus rates the first CAN message may be lost).

# MCP2551

**TABLE 1-1: MODES OF OPERATION**

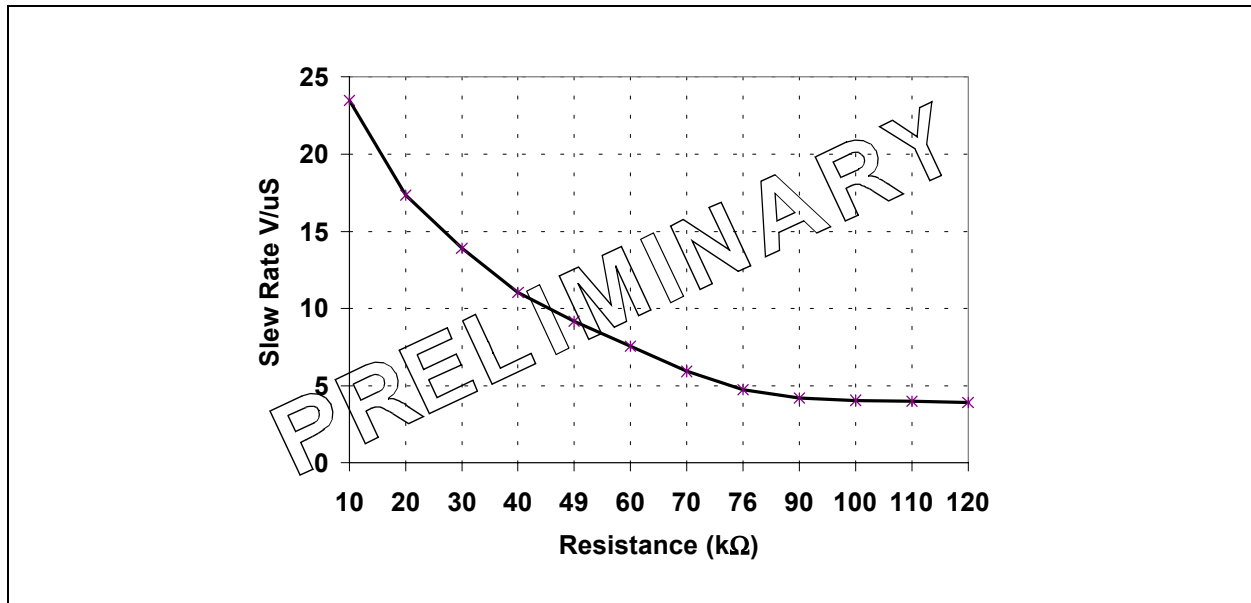
| Mode          | Current at $R_s$ Pin             | Resulting Voltage at $R_s$ Pin   |
|---------------|----------------------------------|----------------------------------|
| Standby       | $-I_{RS} < 10 \mu A$             | $V_{RS} > 0.75V_{DD}$            |
| Slope-Control | $10 \mu A < -I_{RS} < 200 \mu A$ | $0.4V_{DD} < V_{RS} < 0.6V_{DD}$ |
| High-Speed    | $-I_{RS} < 610 \mu A$            | $0 < V_{RS} < 0.3V_{DD}$         |

**TABLE 1-2: TRANSCEIVER TRUTH TABLE**

| VDD                                       | VRS                   | TXD           | CANH                   | CANL                   | Bus State <sup>(1)</sup> | RxD <sup>(1)</sup> |
|---|-----------------------|---------------|------------------------|------------------------|--------------------------|--------------------|
| $4.5V \leq V_{DD} \leq 5.5V$              | $V_{RS} < 0.75V_{DD}$ | 0             | HIGH                   | LOW                    | Dominant                 | 0                  |
|   |                       | 1 or floating | Not Driven             | Not Driven             | Recessive                | 1                  |
| $V_{POR} < V_{DD} < 4.5V$<br>(See Note 3) | $V_{RS} < 0.75V_{DD}$ | X             | Not Driven             | Not Driven             | Recessive                | 1                  |
|   |                       | 0             | HIGH                   | LOW                    | Dominant                 | 0                  |
|   | 1 or floating         | Not Driven    | Not Driven             | Recessive              | 1                        |                    |
| $0 < V_{DD} < V_{POR}$                    | X                     | X             | Not Driven             | Not Driven             | Recessive                | 1                  |
|   |                       | X             | Not Driven/<br>No Load | Not Driven/<br>No Load | High Impedance           | X                  |

- Note 1:** If another bus node is transmitting a dominant bit on the CAN bus, then RXD is a logic 0.  
**Note 2:** X = "don't care".  
**Note 3:** Device drivers will function, although outputs are not guaranteed to meet the ISO-11898 specification.

**FIGURE 1-1: SLEW RATE VS. SLOPE-CONTROL RESISTANCE VALUE**



## 1.5 TXD Permanent Dominant Detection

If the MCP2551 detects an extended low state on the TXD input, it will disable the CANH and CANL output drivers in order to prevent the corruption of data on the CAN bus. The drivers are disabled if TXD is low for more than 1.25 ms (minimum). This implies a maximum bit time of 62.5  $\mu$ s (16 kb/s bus rate) allowing up to 20 consecutive transmitted dominant bits during a multiple bit error and error frame scenario. The drivers remain disabled as long as TXD remains low. A rising edge on TXD will reset the timer logic and enable the CANH and CANL output drivers.

## 1.6 Power-on Reset

When the device is powered on, CANH and CANL remain in a high-impedance state until VDD reaches the voltage level VPORH. In addition, CANH and CANL will remain in a high-impedance state if TXD is low when VDD reaches VPORH. CANH and CANL will become active only after TXD is asserted high. Once powered on, CANH and CANL will enter a high-impedance state if the voltage level at VDD falls below VPORL, providing voltage brown-out protection during normal operation.

## 1.7 Pin Descriptions

The 8-pin pinout is listed in Table 1-3.

**TABLE 1-3: MCP2551 PINOUT**

| Pin Number | Pin Name | Pin Function               |
|------------|----------|----------------------------|
| 1          | TXD      | Transmit Data Input        |
| 2          | VSS      | Ground                     |
| 3          | VDD      | Supply Voltage             |
| 4          | RXD      | Receive Data Output        |
| 5          | VREF     | Reference Output Voltage   |
| 6          | CANL     | CAN Low-Level Voltage I/O  |
| 7          | CANH     | CAN High-Level Voltage I/O |
| 8          | Rs       | Slope-Control Input        |

### 1.7.1 TRANSMITTER DATA INPUT (TXD)

TXD is a TTL compatible input pin. The data on this pin is driven out on the CANH and CANL differential output pins. It is usually connected to the transmitter data output of the CAN controller device. When TXD is low, CANH and CANL are in the dominant state. When TXD is high, CANH and CANL are in the recessive state, provided that another CAN node is not driving the CAN bus with a dominant state. TXD has an internal pull-up resistor (nominal 25 k $\Omega$  to VDD).

### 1.7.2 GROUND SUPPLY (VSS)

Ground supply pin.

### 1.7.3 SUPPLY VOLTAGE (VDD)

Positive supply voltage pin.

### 1.7.4 RECEIVER DATA OUTPUT (RXD)

RXD is a CMOS-compatible output that drives high or low depending upon the differential signals on the CANH and CANL pins and is usually connected to the receiver data input of the CAN controller device. RXD is high when the CAN bus is recessive and low in the dominant state.

### 1.7.5 REFERENCE VOLTAGE (VREF)

Reference Voltage Output (Defined as VDD/2).

### 1.7.6 CAN LOW (CANL)

The CANL output drives the low side of the CAN differential bus. This pin is also tied internally to the receive input comparator.

### 1.7.7 CAN HIGH (CANH)

The CANH output drives the high side of the CAN differential bus. This pin is also tied internally to the receive input comparator.

### 1.7.8 SLOPE RESISTOR INPUT (Rs)

The Rs pin is used to select High-Speed, Slope-Control or Standby modes via an external biasing resistor.

# MCP2551

## 2.0 ELECTRICAL CHARACTERISTICS

### 2.1 Terms and Definitions

A number of terms are defined in ISO-11898 that are used to describe the electrical characteristics of a CAN transceiver device. These terms and definitions are summarized in this section.

#### 2.1.1 BUS VOLTAGE

$V_{CANL}$  and  $V_{CANH}$ , denoting the voltages of the bus line wires, CANL and CANH, relative to ground of each individual CAN node.

#### 2.1.2 COMMON MODE BUS VOLTAGE RANGE

Boundary voltage levels of  $V_{CANL}$  and  $V_{CANH}$  with respect to ground, for which proper operation will occur, if up to the maximum number of CAN nodes are connected to the bus.

#### 2.1.3 DIFFERENTIAL INTERNAL CAPACITANCE, $C_{DIFF}$ (OF A CAN NODE)

Capacitance seen between CANL and CANH during the recessive state when the CAN node is disconnected from the bus (see Figure 2-1).

#### 2.1.4 DIFFERENTIAL INTERNAL RESISTANCE, $R_{DIFF}$ (OF A CAN NODE)

Resistance seen between CANL and CANH during the recessive state when the CAN node is disconnected from the bus (see Figure 2-1).

#### 2.1.5 DIFFERENTIAL VOLTAGE, $V_{DIFF}$ (OF CAN BUS)

Differential voltage of the two-wire CAN bus, value  $V_{DIFF} = V_{CANH} - V_{CANL}$ .

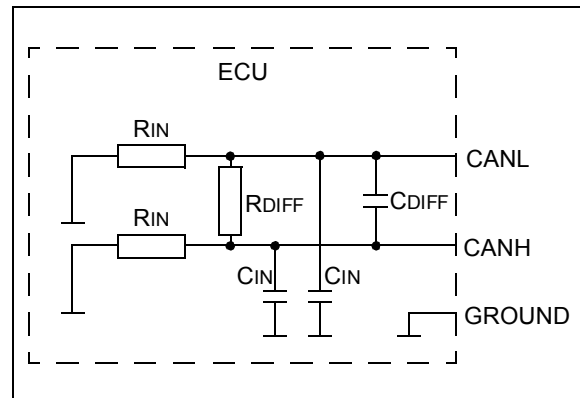
#### 2.1.6 INTERNAL CAPACITANCE, $C_{IN}$ (OF A CAN NODE)

Capacitance seen between CANL (or CANH) and ground during the recessive state when the CAN node is disconnected from the bus (see Figure 2-1).

#### 2.1.7 INTERNAL RESISTANCE, $R_{IN}$ (OF A CAN NODE)

Resistance seen between CANL (or CANH) and ground during the recessive state when the CAN node is disconnected from the bus (see Figure 2-1).

**FIGURE 2-1: PHYSICAL LAYER DEFINITIONS**



## Absolute Maximum Ratings†

|  |                     |
|--|---------------------|
| VDD.....   | 7.0V                |
| DC Voltage at TXD, RXD, VREF and VS.....                     | -0.3V to VDD + 0.3V |
| DC Voltage at CANH, CANL ( <b>Note 1</b> ).....              | -42V to +42V        |
| Transient Voltage on Pins 6 and 7 ( <b>Note 2</b> ).....     | -250V to +250V      |
| Storage temperature .....                                    | -55°C to +150°C     |
| Operating ambient temperature .....                          | -40°C to +125°C     |
| Virtual Junction Temperature, TVJ ( <b>Note 3</b> ) .....    | -40°C to +150°C     |
| Soldering temperature of leads (10 seconds) .....            | +300°C              |
| ESD protection on CANH and CANL pins ( <b>Note 4</b> ) ..... | 6 kV                |
| ESD protection on all other pins ( <b>Note 4</b> ) .....     | 4 kV                |

**Note 1:** Short-circuit applied when TXD is high and low.

**2:** In accordance with ISO-7637.

**3:** In accordance with IEC 60747-1.

**4:** Classification A: Human Body Model.

† **NOTICE:** Stresses above those listed under “Maximum ratings” may cause permanent damage to the device. This is a stress rating only and functional operation of the device at those or any other conditions above those indicated in the operational listings of this specification is not implied. Exposure to maximum rating conditions for extended periods may affect device reliability.

# MCP2551

## 2.2 DC Characteristics

| DC Specifications   |  |  | Electrical Characteristics:<br>Industrial (I): T <sub>AMB</sub> = -40°C to +85°C V <sub>DD</sub> = 4.5V to 5.5V<br>Extended (E): T <sub>AMB</sub> = -40°C to +125°C V <sub>DD</sub> = 4.5V to 5.5V |                   |       |   |
|---|--|--|--|-------------------|-------|---|
| Param No.   | Sym  | Characteristic   | Min  | Max               | Units | Conditions  |
| <b>Supply:</b>  |  |  |  |                   |       |   |
| D1  | IDD  | Supply Current   | —  | 75                | mA    | Dominant; V <sub>TXD</sub> = 0.8V; V <sub>DD</sub>  |
| D2  |  |  | —  | 10                | mA    | Recessive; V <sub>TXD</sub> = +2V;<br>R <sub>s</sub> = 47 kΩ                                  |
| D3  |  |  | —  | 365               | μA    | -40°C ≤ T <sub>AMB</sub> ≤ +85°C,<br>Standby; <b>(Note 2)</b>                                 |
|   |  |  | —  | 465               | μA    | -40°C ≤ T <sub>AMB</sub> ≤ +125°C,<br>Standby; <b>(Note 2)</b>                                |
| D4  | V <sub>PORH</sub>  | High-level of the power-on reset comparator                  | 3.8  | 4.3               | V     | CANH, CANL outputs are active when V <sub>DD</sub> > V <sub>PORH</sub>                        |
| D5  | V <sub>PORL</sub>  | Low-level of the power-on reset comparator                   | 3.4  | 4.0               | V     | CANH, CANL outputs are not active when V <sub>DD</sub> < V <sub>PORL</sub>                    |
| D6  | V <sub>PORD</sub>  | Hysteresis of power-on reset comparator                      | 0.3  | 0.8               | V     | <b>Note 1</b>   |
| <b>Bus Line (CANH; CANL) Transmitter:</b>   |  |  |  |                   |       |   |
| D7  | V <sub>CANH(r);VCANL(r)</sub>                              | CANH, CANL Recessive bus voltage                             | 2.0  | 3.0               | V     | V <sub>TXD</sub> = V <sub>DD</sub> ; no load.   |
| D8  | I <sub>O(CANH)(reces)</sub><br>I <sub>O(CANL)(reces)</sub> | Recessive output current                                     | -2   | +2                | mA    | -2V < V <sub>(CANL,CANH)</sub> < +7V,<br>0V < V <sub>DD</sub> < 5.5V                          |
| D9  |  |  | -10  | +10               | mA    | -5V < V <sub>(CANL,CANH)</sub> < +40V,<br>0V < V <sub>DD</sub> < 5.5V                         |
| D10   | V <sub>O(CANH)</sub>                                       | CANH dominant output voltage                                 | 2.75   | 4.5               | V     | V <sub>TXD</sub> = 0.8V   |
| D11   | V <sub>O(CANL)</sub>                                       | CANL dominant output voltage                                 | 0.5  | 2.25              | V     | V <sub>TXD</sub> = 0.8V   |
| D12   | V <sub>DIFF(r)(o)</sub>                                    | Recessive differential output voltage                        | -500   | +50               | mV    | V <sub>TXD</sub> = 2V; no load  |
| D13   | V <sub>DIFF(d)(o)</sub>                                    | Dominant differential output voltage                         | 1.5  | 3.0               | V     | V <sub>TXD</sub> = 0.8V; V <sub>DD</sub> = 5V<br>40 Ω < R <sub>L</sub> < 60 Ω <b>(Note 2)</b> |
| D14   | I <sub>O(SC)(CANH)</sub>                                   | CANH short-circuit output current                            | —  | -200              | mA    | V <sub>CANH</sub> = -5V   |
| D15   |  |  | —  | -100<br>(typical) | mA    | V <sub>CANH</sub> = -40V, +40V. <b>(Note 1)</b>   |
| D16   | I <sub>O(SC)(CANL)</sub>                                   | CANL short circuit output current                            | —  | 200               | mA    | V <sub>CANL</sub> = -40V, +40V. <b>(Note 1)</b>   |
| <b>Bus Line (CANH; CANL) Receiver: [TXD = 2V; pins 6 and 7 externally driven]</b> |  |  |  |                   |       |   |
| D17   | V <sub>DIFF(r)(i)</sub>                                    | Recessive differential input voltage                         | -1.0   | +0.5              | V     | -2V < V <sub>(CANL, CANH)</sub> < +7V<br><b>(Note 3)</b>                                      |
|   |  |  | -1.0   | +0.4              | V     | -12V < V <sub>(CANL, CANH)</sub> < +12V<br><b>(Note 3)</b>                                    |
| D18   | V <sub>DIFF(d)(i)</sub>                                    | Dominant differential input voltage                          | 0.9  | 5.0               | V     | -2V < V <sub>(CANL, CANH)</sub> < +7V<br><b>(Note 3)</b>                                      |
|   |  |  | 1.0  | 5.0               | V     | -12V < V <sub>(CANL, CANH)</sub> < +12V<br><b>(Note 3)</b>                                    |
| D19   | V <sub>DIFF(h)(i)</sub>                                    | Differential input hysteresis                                | 100  | 200               | mV    | see Figure 2-4. <b>(Note 1)</b>   |
| D20   | R <sub>IN</sub>  | CANH, CANL common-mode input resistance                      | 5  | 50                | kΩ    |   |
| D21   | R <sub>IN(d)</sub>   | Deviation between CANH and CANL common-mode input resistance | -3   | +3                | %     | V <sub>CANH</sub> = V <sub>CANL</sub>   |

**Note 1:** This parameter is periodically sampled and not 100% tested.

**Note 2:** I<sub>TXD</sub> = I<sub>RXD</sub> = I<sub>VREF</sub> = 0 mA; 0V < V<sub>CANL</sub> < V<sub>DD</sub>; 0V < V<sub>CANH</sub> < V<sub>DD</sub>; V<sub>RS</sub> = V<sub>DD</sub>.

**Note 3:** This is valid for the receiver in all modes, High-Speed, Slope-Control and standby.

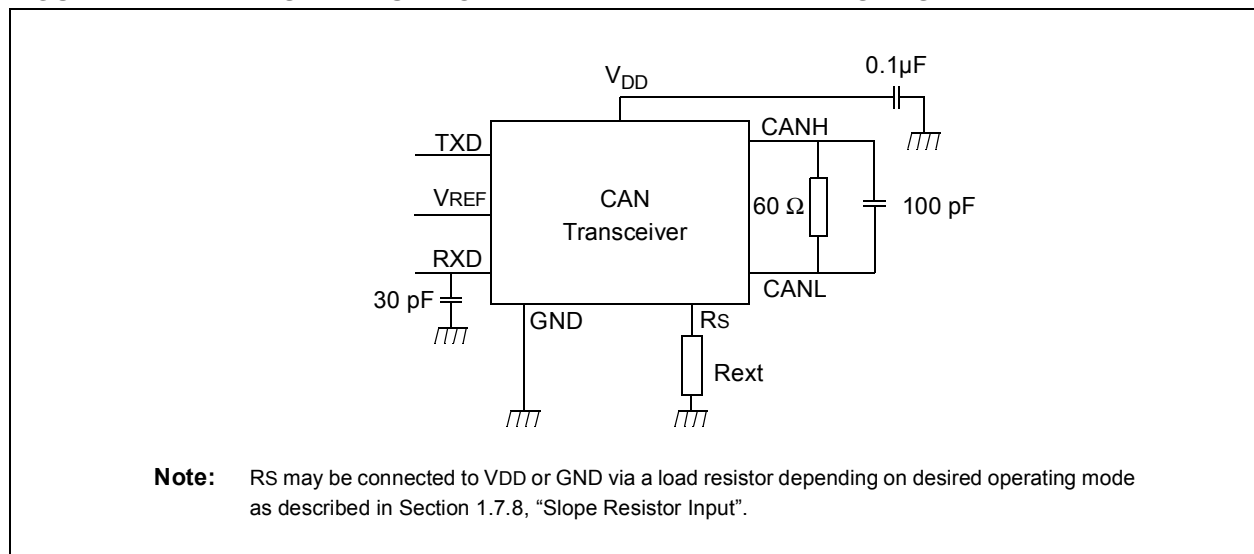


## 2.2 DC Characteristics (Continued)

| DC Specifications (Continued)   |                    |                                  | Electrical Characteristics:  |                      |       |   |
|---|--------------------|----------------------------------|--|----------------------|-------|---|
|   |                    |                                  | Industrial (I): T <sub>AMB</sub> = -40°C to +85°C V <sub>DD</sub> = 4.5V to 5.5V |                      |       |   |
|   |                    |                                  | Extended (E): T <sub>AMB</sub> = -40°C to +125°C V <sub>DD</sub> = 4.5V to 5.5V  |                      |       |   |
| Param No.   | Sym                | Characteristic                   | Min  | Max                  | Units | Conditions  |
| <b>Bus Line (CANH; CANL) Receiver: [TXD = 2V; pins 6 and 7 externally driven]</b> |                    |                                  |  |                      |       |   |
| D22   | R <sub>DIFF</sub>  | Differential input resistance    | 20   | 100                  | kΩ    |   |
| D24   | I <sub>LI</sub>    | CANH, CANL input leakage current | —  | 150                  | μA    | V <sub>DD</sub> < V <sub>POR</sub> ;<br>V <sub>CANH</sub> = V <sub>CANL</sub> = +5V |
| <b>Transmitter Data Input (TXD):</b>  |                    |                                  |  |                      |       |   |
| D25   | V <sub>IH</sub>    | High-level input voltage         | 2.0  | —                    | V     | Output recessive  |
| D26   | V <sub>IL</sub>    | Low-level input voltage          | —  | +0.8                 | V     | Output dominant   |
| D27   | I <sub>IH</sub>    | High-level input current         | -1   | +1                   | μA    | V <sub>TXD</sub> = V <sub>DD</sub>  |
| D28   | I <sub>IL</sub>    | Low-level input current          | -100   | -400                 | μA    | V <sub>TXD</sub> = 0V   |
| <b>Receiver Data Output (RXD):</b>  |                    |                                  |  |                      |       |   |
| D31   | V <sub>OH</sub>    | High-level output voltage        | 0.7  | —                    | V     | I <sub>OH</sub> = 8 mA  |
| D32   | V <sub>OL</sub>    | Low-level output voltage         | —  | 0.8                  | V     | I <sub>OL</sub> = 8 mA  |
| <b>Voltage Reference Output (VREF):</b>   |                    |                                  |  |                      |       |   |
| D33   | V <sub>REF</sub>   | Reference output voltage         | 0.45 V <sub>DD</sub>   | 0.55 V <sub>DD</sub> | V     | -50 μA < I <sub>VREF</sub> < 50 μA  |
| <b>Standby/Slope-Control (Rs pin):</b>  |                    |                                  |  |                      |       |   |
| D34   | V <sub>STB</sub>   | Input voltage for standby mode   | 0.75 V <sub>DD</sub>   | —                    | V     |   |
| D35   | I <sub>SLOPE</sub> | Slope-control mode current       | -10  | -200                 | μA    |   |
| D36   | V <sub>SLOPE</sub> | Slope-control mode voltage       | 0.4 V <sub>DD</sub>  | 0.6 V <sub>DD</sub>  | V     |   |
| <b>Thermal Shutdown:</b>  |                    |                                  |  |                      |       |   |
| D37   | T <sub>J(sd)</sub> | Shutdown junction temperature    | 155  | 180                  | °C    | <b>Note 1</b>   |
| D38   | T <sub>J(h)</sub>  | Shutdown temperature hysteresis  | 20   | 30                   | °C    | -12V < V(CANL, CANH) < +12V<br><b>(Note 3)</b>                                      |

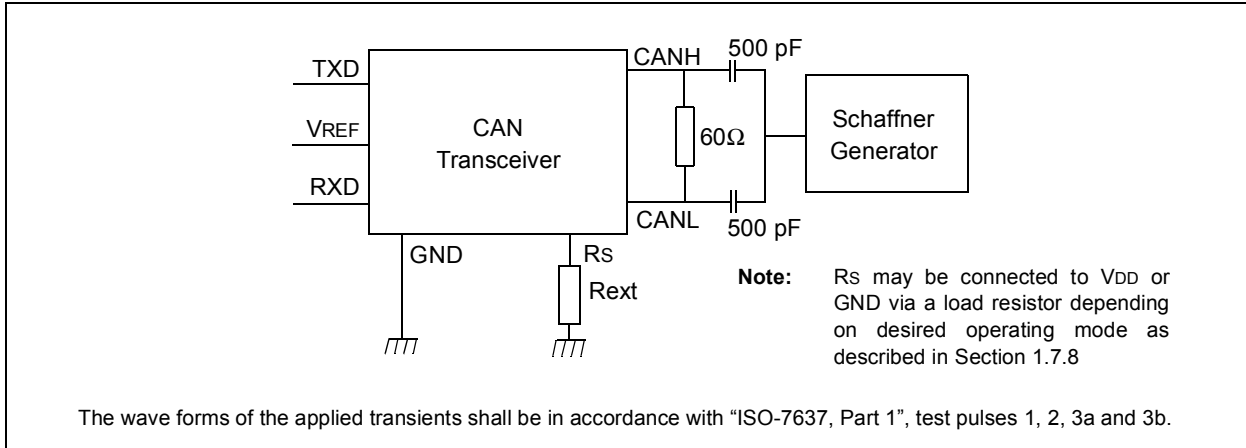
- Note 1:** This parameter is periodically sampled and not 100% tested.  
**Note 2:** I<sub>TXD</sub> = I<sub>RXD</sub> = I<sub>VREF</sub> = 0 mA; 0V < V<sub>CANL</sub> < V<sub>DD</sub>; 0V < V<sub>CANH</sub> < V<sub>DD</sub>; V<sub>RS</sub> = V<sub>DD</sub>.  
**Note 3:** This is valid for the receiver in all modes, High-Speed, Slope-Control and standby.

**FIGURE 2-2: TEST CIRCUIT FOR ELECTRICAL CHARACTERISTICS**

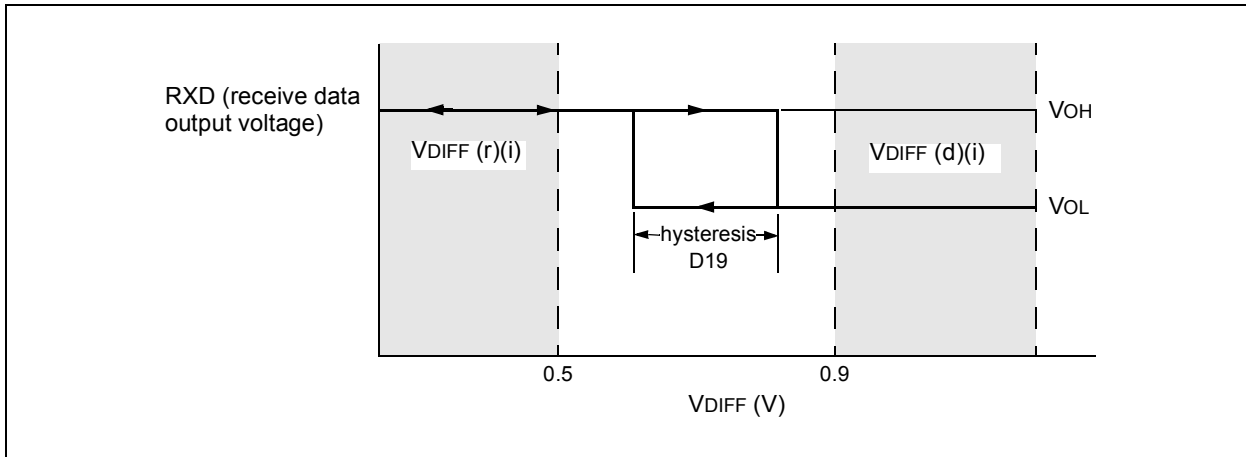


# MCP2551

**FIGURE 2-3: TEST CIRCUIT FOR AUTOMOTIVE TRANSIENTS**



**FIGURE 2-4: HYSTERESIS OF THE RECEIVER**



## 2.3 AC Characteristics

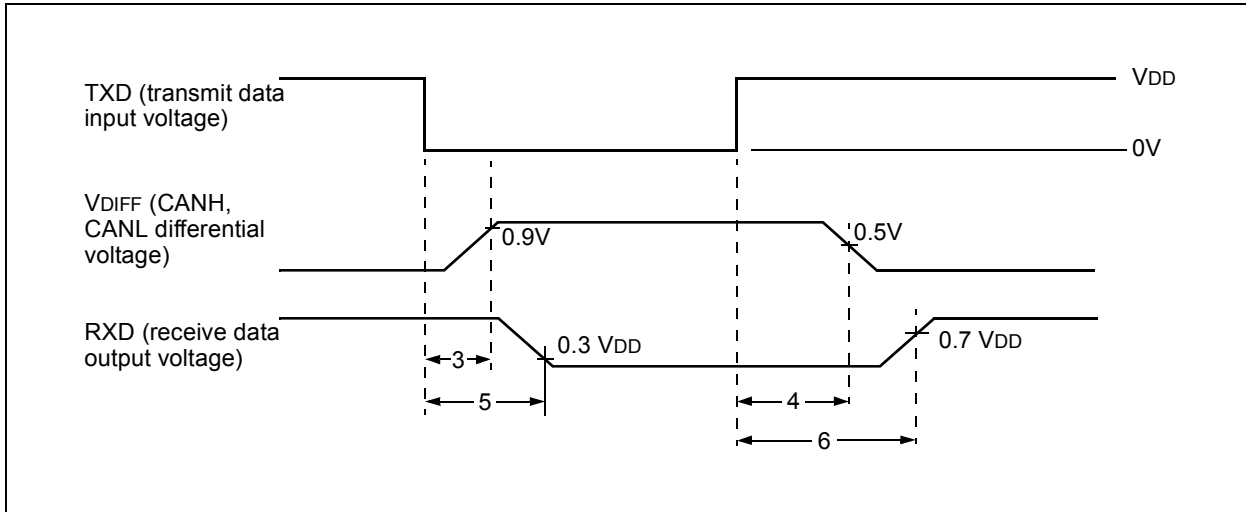
| AC Specifications |                           |  | Electrical Characteristics:<br>Industrial (I): T <sub>AMB</sub> = -40°C to +85°C V <sub>DD</sub> = 4.5V to 5.5V<br>Extended (E): T <sub>AMB</sub> = -40°C to +125°C V <sub>DD</sub> = 4.5V to 5.5V |                 |       |   |
|-------------------|---------------------------|--|--|-----------------|-------|---|
| Param No.         | Sym                       | Characteristic                                 | Min  | Max             | Units | Conditions  |
| 1                 | t <sub>BIT</sub>          | Bit time                                       | 1  | 62.5            | μs    | V <sub>RS</sub> = 0V  |
| 2                 | f <sub>BIT</sub>          | Bit frequency                                  | 16   | 1000            | kHz   | V <sub>RS</sub> = 0V  |
| 3                 | T <sub>txL2bus(d)</sub>   | Delay TXD to bus active                        | —  | 70              | ns    | -40°C ≤ T <sub>AMB</sub> ≤ +125°C,<br>V <sub>RS</sub> = 0V                    |
| 4                 | T <sub>txH2bus(r)</sub>   | Delay TXD to bus inactive                      | —  | 125             | ns    | -40°C ≤ T <sub>AMB</sub> ≤ +85°C,<br>V <sub>RS</sub> = 0V                     |
|                   |                           |  | —  | 170             | ns    | -40°C ≤ T <sub>AMB</sub> ≤ +125°C,<br>V <sub>RS</sub> = 0V                    |
| 5                 | T <sub>txL2rx(d)</sub>    | Delay TXD to receive active                    | —  | 130             | ns    | -40°C ≤ T <sub>AMB</sub> ≤ +125°C,<br>V <sub>RS</sub> = 0V                    |
|                   |                           |  | —  | 250             | ns    | -40°C ≤ T <sub>AMB</sub> ≤ +125°C,<br>R <sub>S</sub> = 47 kΩ                  |
| 6                 | T <sub>txH2rx(r)</sub>    | Delay TXD to receiver inactive                 | —  | 175             | ns    | -40°C ≤ T <sub>AMB</sub> ≤ +85°C,<br>V <sub>RS</sub> = 0V                     |
|                   |                           |  | —  | 225             | ns    | -40°C ≤ T <sub>AMB</sub> ≤ +85°C,<br>R <sub>S</sub> = 47 kΩ                   |
|                   |                           |  | —  | 235             | ns    | -40°C ≤ T <sub>AMB</sub> ≤ +125°C,<br>V <sub>RS</sub> = 0V                    |
|                   |                           |  | —  | 400             | ns    | -40°C ≤ T <sub>AMB</sub> ≤ +125°C,<br>R <sub>S</sub> = 47 kΩ                  |
| 7                 | SR                        | CANH, CANL slew rate                           | 5.5  | 8.5             | V/μs  | Refer to Figure 1-1;<br>R <sub>S</sub> = 47 kΩ, ( <b>Note 1</b> )             |
| 10                | t <sub>WAKE</sub>         | Wake-up time from standby (R <sub>S</sub> pin) | —  | 5               | μs    | see Figure 2-6  |
| 11                | T <sub>busD2rx(s)</sub>   | Bus dominant to RXD Low (standby mode)         | —  | 550             | ns    | V <sub>RS</sub> = +4V; (see <b>Figure 2-7</b> )                               |
| 12                | C <sub>IN(CANH)</sub>     | CANH; CANL input capacitance                   | —  | 20<br>(typical) | pF    | 1 Mbit/s data rate;<br>V <sub>TXD</sub> = V <sub>DD</sub> , ( <b>Note 1</b> ) |
|                   | C <sub>IN(CANL)</sub>     |  |  |                 |       |   |
| 13                | C <sub>DIFF</sub>         | Differential input capacitance                 | —  | 10<br>(typical) | pF    | 1 Mbit/s data rate<br>( <b>Note 1</b> )                                       |
| 14                | T <sub>txL2busZ</sub>     | TX Permanent Dominant Timer Disable Time       | 1.25   | 4               | ms    |   |
| 15                | T <sub>txR2pdt(res)</sub> | TX Permanent Dominant Timer Reset Time         | —  | 1               | μs    | Rising edge on TXD while device is in permanent dominant state                |

**Note 1:** This parameter is periodically sampled and not 100% tested.

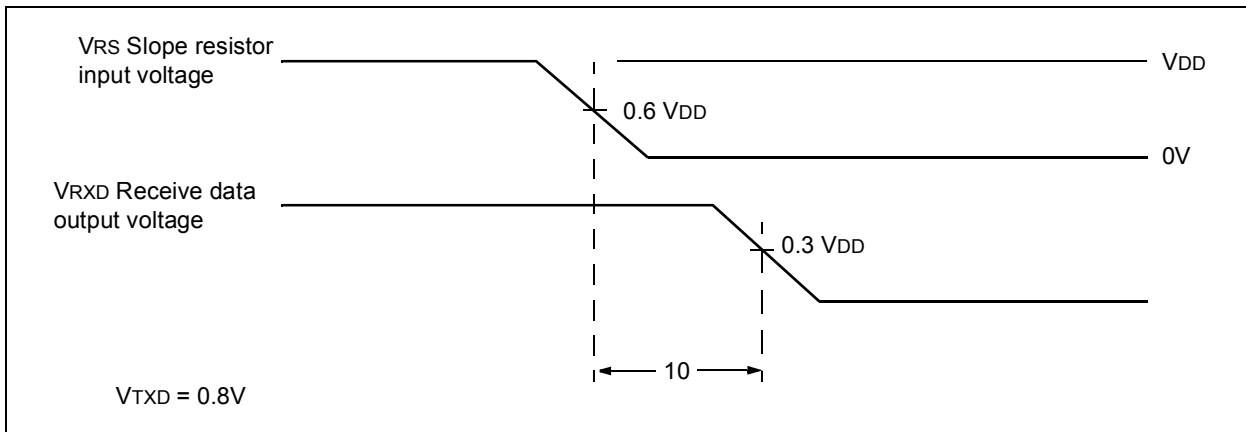
# MCP2551

## 2.4 Timing Diagrams and Specifications

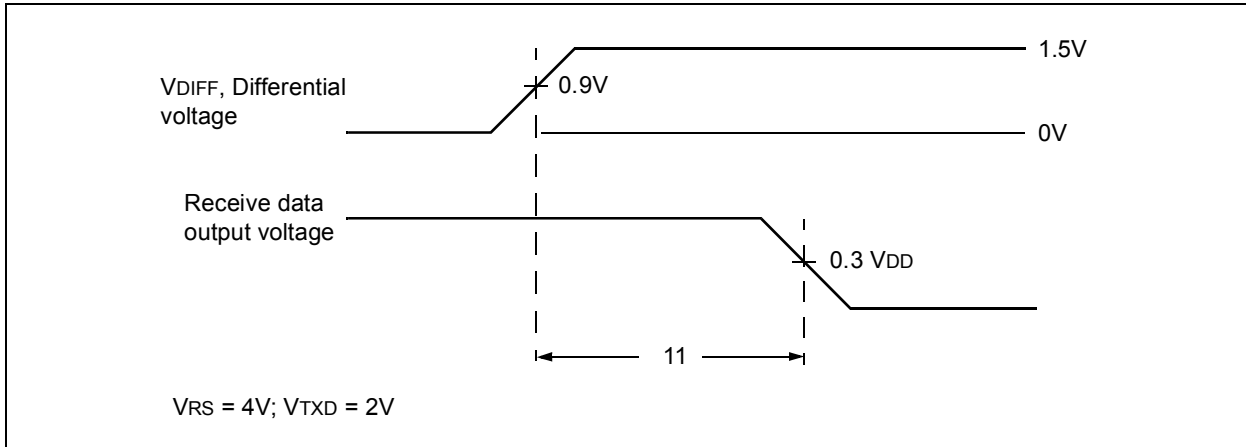
**FIGURE 2-5: TIMING DIAGRAM FOR AC CHARACTERISTICS**



**FIGURE 2-6: TIMING DIAGRAM FOR WAKEUP FROM STANDBY**



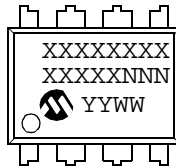
**FIGURE 2-7: TIMING DIAGRAM FOR BUS DOMINANT TO RXD LOW (STANDBY MODE)**



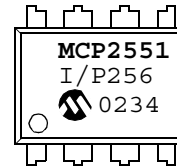
## 3.0 PACKAGING INFORMATION

### 3.1 Package Marking Information

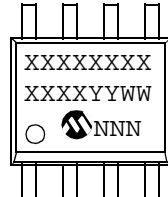
8-Lead PDIP (300 mil)



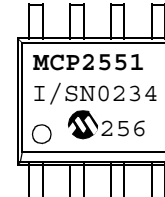
Example:



8-Lead SOIC (150 mil)



Example:

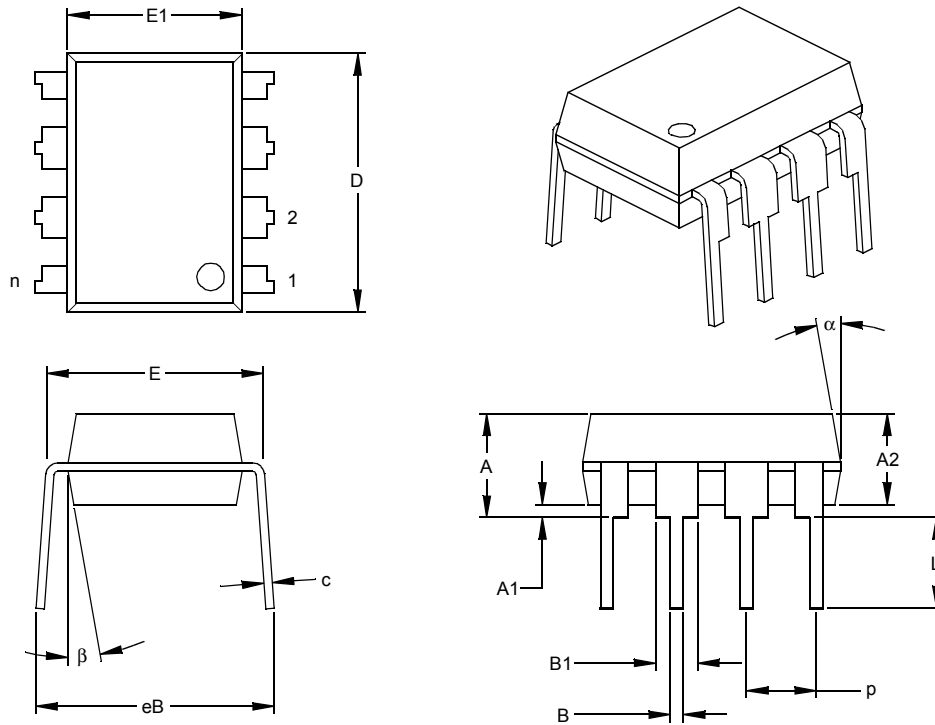


|                |  |  |
|----------------|--|--|
| <b>Legend:</b> | XX...X   | Customer specific information*             |
|                | YY   | Year code (last 2 digits of calendar year) |
|                | WW   | Week code (week of January 1 is week '01') |
|                | NNN  | Alphanumeric traceability code             |
| <b>Note:</b>   | In the event the full Microchip part number cannot be marked on one line, it will be carried over to the next line thus limiting the number of available characters for customer specific information. |  |

\* Standard marking consists of Microchip part number, year code, week code, traceability code (facility code, mask rev#, and assembly code). For marking beyond this, certain price adders apply. Please check with your Microchip Sales Office.

# MCP2551

## 8-Lead Plastic Dual In-line (P) – 300 mil (PDIP)



| Dimension Limits           | Units | INCHES* |      |      | MILLIMETERS |      |       |
|----------------------------|-------|---------|------|------|-------------|------|-------|
|                            |       | MIN     | NOM  | MAX  | MIN         | NOM  | MAX   |
| Number of Pins             | n     |         | 8    |      |             | 8    |       |
| Pitch                      | p     |         | .100 |      |             | 2.54 |       |
| Top to Seating Plane       | A     | .140    | .155 | .170 | 3.56        | 3.94 | 4.32  |
| Molded Package Thickness   | A2    | .115    | .130 | .145 | 2.92        | 3.30 | 3.68  |
| Base to Seating Plane      | A1    | .015    |      |      | 0.38        |      |       |
| Shoulder to Shoulder Width | E     | .300    | .313 | .325 | 7.62        | 7.94 | 8.26  |
| Molded Package Width       | E1    | .240    | .250 | .260 | 6.10        | 6.35 | 6.60  |
| Overall Length             | D     | .360    | .373 | .385 | 9.14        | 9.46 | 9.78  |
| Tip to Seating Plane       | L     | .125    | .130 | .135 | 3.18        | 3.30 | 3.43  |
| Lead Thickness             | c     | .008    | .012 | .015 | 0.20        | 0.29 | 0.38  |
| Upper Lead Width           | B1    | .045    | .058 | .070 | 1.14        | 1.46 | 1.78  |
| Lower Lead Width           | B     | .014    | .018 | .022 | 0.36        | 0.46 | 0.56  |
| Overall Row Spacing        | § eB  | .310    | .370 | .430 | 7.87        | 9.40 | 10.92 |
| Mold Draft Angle Top       | α     | 5       | 10   | 15   | 5           | 10   | 15    |
| Mold Draft Angle Bottom    | β     | 5       | 10   | 15   | 5           | 10   | 15    |

\* Controlling Parameter

§ Significant Characteristic

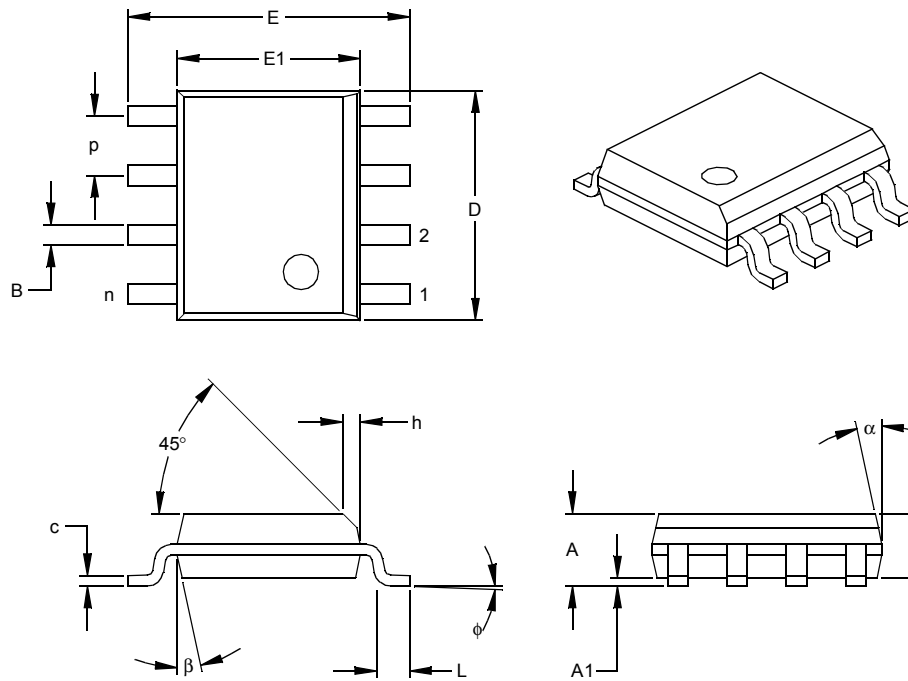
### Notes:

Dimensions D and E1 do not include mold flash or protrusions. Mold flash or protrusions shall not exceed .010" (0.254mm) per side.

JEDEC Equivalent: MS-001

Drawing No. C04-018

## 8-Lead Plastic Small Outline (SN) – Narrow, 150 mil (SOIC)



| Dimension Limits         | Units | INCHES* |      |      | MILLIMETERS |      |      |
|--------------------------|-------|---------|------|------|-------------|------|------|
|                          |       | MIN     | NOM  | MAX  | MIN         | NOM  | MAX  |
| Number of Pins           | n     |         | 8    |      |             | 8    |      |
| Pitch                    | p     |         | .050 |      |             | 1.27 |      |
| Overall Height           | A     | .053    | .061 | .069 | 1.35        | 1.55 | 1.75 |
| Molded Package Thickness | A2    | .052    | .056 | .061 | 1.32        | 1.42 | 1.55 |
| Standoff §               | A1    | .004    | .007 | .010 | 0.10        | 0.18 | 0.25 |
| Overall Width            | E     | .228    | .237 | .244 | 5.79        | 6.02 | 6.20 |
| Molded Package Width     | E1    | .146    | .154 | .157 | 3.71        | 3.91 | 3.99 |
| Overall Length           | D     | .189    | .193 | .197 | 4.80        | 4.90 | 5.00 |
| Chamfer Distance         | h     | .010    | .015 | .020 | 0.25        | 0.38 | 0.51 |
| Foot Length              | L     | .019    | .025 | .030 | 0.48        | 0.62 | 0.76 |
| Foot Angle               | φ     | 0       | 4    | 8    | 0           | 4    | 8    |
| Lead Thickness           | c     | .008    | .009 | .010 | 0.20        | 0.23 | 0.25 |
| Lead Width               | B     | .013    | .017 | .020 | 0.33        | 0.42 | 0.51 |
| Mold Draft Angle Top     | α     | 0       | 12   | 15   | 0           | 12   | 15   |
| Mold Draft Angle Bottom  | β     | 0       | 12   | 15   | 0           | 12   | 15   |

\* Controlling Parameter  
 § Significant Characteristic

**Notes:**

Dimensions D and E1 do not include mold flash or protrusions. Mold flash or protrusions shall not exceed .010" (0.254mm) per side.

JEDEC Equivalent: MS-012

Drawing No. C04-057

# MCP2551

---

NOTES:



## PRODUCT IDENTIFICATION SYSTEM

To order or obtain information, e.g., on pricing or delivery, refer to the factory or the listed sales office.

| <u>PART NO.</u>    | <u>X</u>                              | <u>/XX</u>                              |
|--------------------|---------------------------------------|---|
| Device             | Temperature Range                     | Package                                 |
| Device:            | MCP2551= High-Speed CAN Transceiver   |   |
| Temperature Range: | I = -40°C to +85°C                    | E = -40°C to +125°C                     |
| Package:           | P = Plastic DIP (300 mil Body) 8-lead | SN = Plastic SOIC (150 mil Body) 8-lead |

**Examples:**

- MCP2551-I/P: Industrial temperature, PDIP package.
- MCP2551-E/P: Extended temperature, PDIP package.
- MCP2551-I/SN: Industrial temperature, SOIC package.
- MCP2551T-I/SN: Tape and Reel, Industrial Temperature, SOIC package.
- MCP2551T-E/SN: Tape and Reel, Extended Temperature, SOIC package.

## Sales and Support

### Data Sheets

Products supported by a preliminary Data Sheet may have an errata sheet describing minor operational differences and recommended workarounds. To determine if an errata sheet exists for a particular device, please contact one of the following:

- Your local Microchip sales office
- The Microchip Corporate Literature Center U.S. FAX: (480) 792-7277
- The Microchip Worldwide Site ([www.microchip.com](http://www.microchip.com))

Please specify which device, revision of silicon and Data Sheet (include Literature #) you are using.

### Customer Notification System

Register on our web site ([www.microchip.com/cn](http://www.microchip.com/cn)) to receive the most current information on our products.

# MCP2551

---

NOTES:

---

**Note the following details of the code protection feature on Microchip devices:**

- Microchip products meet the specification contained in their particular Microchip Data Sheet.
- Microchip believes that its family of products is one of the most secure families of its kind on the market today, when used in the intended manner and under normal conditions.
- There are dishonest and possibly illegal methods used to breach the code protection feature. All of these methods, to our knowledge, require using the Microchip products in a manner outside the operating specifications contained in Microchip's Data Sheets. Most likely, the person doing so is engaged in theft of intellectual property.
- Microchip is willing to work with the customer who is concerned about the integrity of their code.
- Neither Microchip nor any other semiconductor manufacturer can guarantee the security of their code. Code protection does not mean that we are guaranteeing the product as "unbreakable."

Code protection is constantly evolving. We at Microchip are committed to continuously improving the code protection features of our products.

---

Information contained in this publication regarding device applications and the like is intended through suggestion only and may be superseded by updates. It is your responsibility to ensure that your application meets with your specifications. No representation or warranty is given and no liability is assumed by Microchip Technology Incorporated with respect to the accuracy or use of such information, or infringement of patents or other intellectual property rights arising from such use or otherwise. Use of Microchip's products as critical components in life support systems is not authorized except with express written approval by Microchip. No licenses are conveyed, implicitly or otherwise, under any intellectual property rights.

**Trademarks**

The Microchip name and logo, the Microchip logo, KEELOQ, MPLAB, PIC, PICmicro, PICSTART and PRO MATE are registered trademarks of Microchip Technology Incorporated in the U.S.A. and other countries.


FilterLab, microID, MXDEV, MXLAB, PICMASTER, SEEVAL and The Embedded Control Solutions Company are registered trademarks of Microchip Technology Incorporated in the U.S.A.

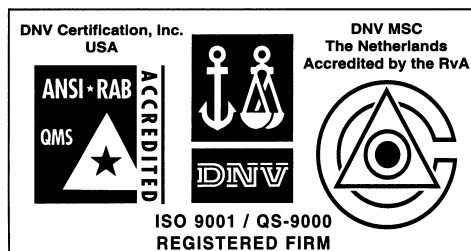
dsPIC, dsPICDEM.net, ECONOMONITOR, FanSense, FlexROM, fuzzyLAB, In-Circuit Serial Programming, ICSP, ICEPIC, microPort, Migratable Memory, MPASM, MPLIB, MPLINK, MPSIM, PICC, PICDEM, PICDEM.net, rPIC, Select Mode and Total Endurance are trademarks of Microchip Technology Incorporated in the U.S.A. and other countries.

Serialized Quick Turn Programming (SQTP) is a service mark of Microchip Technology Incorporated in the U.S.A.

All other trademarks mentioned herein are property of their respective companies.

© 2002, Microchip Technology Incorporated, Printed in the U.S.A., All Rights Reserved.

 Printed on recycled paper.



*Microchip received QS-9000 quality system certification for its worldwide headquarters, design and wafer fabrication facilities in Chandler and Tempe, Arizona in July 1999 and Mountain View, California in March 2002. The Company's quality system processes and procedures are QS-9000 compliant for its PICmicro® 8-bit MCUs, KEELOQ® code hopping devices, Serial EEPROMs, microperipherals, non-volatile memory and analog products. In addition, Microchip's quality system for the design and manufacture of development systems is ISO 9001 certified.*



# MICROCHIP

## WORLDWIDE SALES AND SERVICE

### AMERICAS

#### Corporate Office

2355 West Chandler Blvd.  
Chandler, AZ 85224-6199  
Tel: 480-792-7200 Fax: 480-792-7277  
Technical Support: 480-792-7627  
Web Address: <http://www.microchip.com>

#### Rocky Mountain

2355 West Chandler Blvd.  
Chandler, AZ 85224-6199  
Tel: 480-792-7966 Fax: 480-792-4338

#### Atlanta

3780 Mansell Road, Suite 130  
Alpharetta, GA 30022  
Tel: 770-640-0034 Fax: 770-640-0307

#### Boston

2 Lan Drive, Suite 120  
Westford, MA 01886  
Tel: 978-692-3848 Fax: 978-692-3821

#### Chicago

333 Pierce Road, Suite 180  
Itasca, IL 60143  
Tel: 630-285-0071 Fax: 630-285-0075

#### Dallas

4570 Westgrove Drive, Suite 160  
Addison, TX 75001  
Tel: 972-818-7423 Fax: 972-818-2924

#### Detroit

Tri-Atria Office Building  
32255 Northwestern Highway, Suite 190  
Farmington Hills, MI 48334  
Tel: 248-538-2250 Fax: 248-538-2260

#### Kokomo

2767 S. Albright Road  
Kokomo, Indiana 46902  
Tel: 765-864-8360 Fax: 765-864-8387

#### Los Angeles

18201 Von Karman, Suite 1090  
Irvine, CA 92612  
Tel: 949-263-1888 Fax: 949-263-1338

#### San Jose

Microchip Technology Inc.  
2107 North First Street, Suite 590  
San Jose, CA 95131  
Tel: 408-436-7950 Fax: 408-436-7955

#### Toronto

6285 Northam Drive, Suite 108  
Mississauga, Ontario L4V 1X5, Canada  
Tel: 905-673-0699 Fax: 905-673-6509

### ASIA/PACIFIC

#### Australia

Microchip Technology Australia Pty Ltd  
Suite 22, 41 Rawson Street  
Epping 2121, NSW  
Australia  
Tel: 61-2-9868-6733 Fax: 61-2-9868-6755

#### China - Beijing

Microchip Technology Consulting (Shanghai)  
Co., Ltd., Beijing Liaison Office  
Unit 915  
Bei Hai Wan Tai Bldg.  
No. 6 Chaoyangmen Beidajie  
Beijing, 100027, No. China  
Tel: 86-10-85282100 Fax: 86-10-85282104

#### China - Chengdu

Microchip Technology Consulting (Shanghai)  
Co., Ltd., Chengdu Liaison Office  
Rm. 2401-2402, 24th Floor,  
Ming Xing Financial Tower  
No. 88 TIDU Street  
Chengdu 610016, China  
Tel: 86-28-86766200 Fax: 86-28-86766599

#### China - Fuzhou

Microchip Technology Consulting (Shanghai)  
Co., Ltd., Fuzhou Liaison Office  
Unit 28F, World Trade Plaza  
No. 71 Wusi Road  
Fuzhou 350001, China  
Tel: 86-591-7503506 Fax: 86-591-7503521

#### China - Shanghai

Microchip Technology Consulting (Shanghai)  
Co., Ltd.  
Room 701, Bldg. B  
Far East International Plaza  
No. 317 Xian Xia Road  
Shanghai, 200051  
Tel: 86-21-6275-5700 Fax: 86-21-6275-5060

#### China - Shenzhen

Microchip Technology Consulting (Shanghai)  
Co., Ltd., Shenzhen Liaison Office  
Rm. 15-16, 13/F, Shenzhen Kerry Centre,  
Renminnan Lu  
Shenzhen 518001, China  
Tel: 86-755-82350361 Fax: 86-755-82366086

#### China - Hong Kong SAR

Microchip Technology Hongkong Ltd.  
Unit 901-6, Tower 2, Metroplaza  
223 Hing Fong Road  
Kwai Fong, N.T., Hong Kong  
Tel: 852-2401-1200 Fax: 852-2401-3431

#### India

Microchip Technology Inc.  
India Liaison Office  
Divyasree Chambers  
1 Floor, Wing A (A3/A4)  
No. 11, O'Shaughnessy Road  
Bangalore, 560 025, India  
Tel: 91-80-2290061 Fax: 91-80-2290062

### Japan

Microchip Technology Japan K.K.  
Benex S-1 6F  
3-18-20, Shinyokohama  
Kohoku-Ku, Yokohama-shi  
Kanagawa, 222-0033, Japan  
Tel: 81-45-471-6166 Fax: 81-45-471-6122

### Korea

Microchip Technology Korea  
168-1, Youngbo Bldg. 3 Floor  
Samsung-Dong, Kangnam-Ku  
Seoul, Korea 135-882  
Tel: 82-2-554-7200 Fax: 82-2-558-5934

### Singapore

Microchip Technology Singapore Pte Ltd.  
200 Middle Road  
#07-02 Prime Centre  
Singapore, 188980  
Tel: 65-6334-8870 Fax: 65-6334-8850

### Taiwan

Microchip Technology (Barbados) Inc.,  
Taiwan Branch  
11F-3, No. 207  
Tung Hua North Road  
Taipei, 105, Taiwan  
Tel: 886-2-2717-7175 Fax: 886-2-2545-0139

### EUROPE

#### Austria

Microchip Technology Austria GmbH  
Durisolstrasse 2  
A-4600 Wels  
Austria  
Tel: 43-7242-2244-399  
Fax: 43-7242-2244-393

#### Denmark

Microchip Technology Nordic ApS  
Regus Business Centre  
Lautrup høj 1-3  
Ballerup DK-2750 Denmark  
Tel: 45 4420 9895 Fax: 45 4420 9910

#### France

Microchip Technology SARL  
Parc d'Activite du Moulin de Massy  
43 Rue du Saule Trapu  
Batiment A - 1er Etage  
91300 Massy, France  
Tel: 33-1-69-53-63-20 Fax: 33-1-69-30-90-79

#### Germany

Microchip Technology GmbH  
Steinheilstrasse 10  
D-85737 Ismaning, Germany  
Tel: 49-89-627-144 0 Fax: 49-89-627-144-44

#### Italy

Microchip Technology SRL  
Centro Direzionale Colleoni  
Palazzo Taurus 1 V. Le Colleoni 1  
20041 Agrate Brianza  
Milan, Italy  
Tel: 39-039-65791-1 Fax: 39-039-6899883

#### United Kingdom

Microchip Ltd.  
505 Eskdale Road  
Winkersley Triangle  
Wokingham  
Berkshire, England RG41 5TU  
Tel: 44 118 921 5869 Fax: 44-118 921-5820

11/15/02